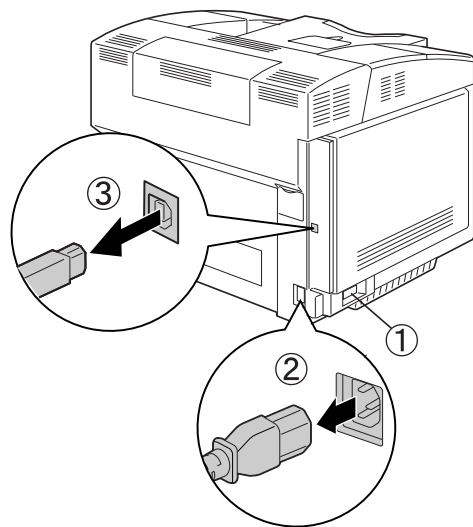
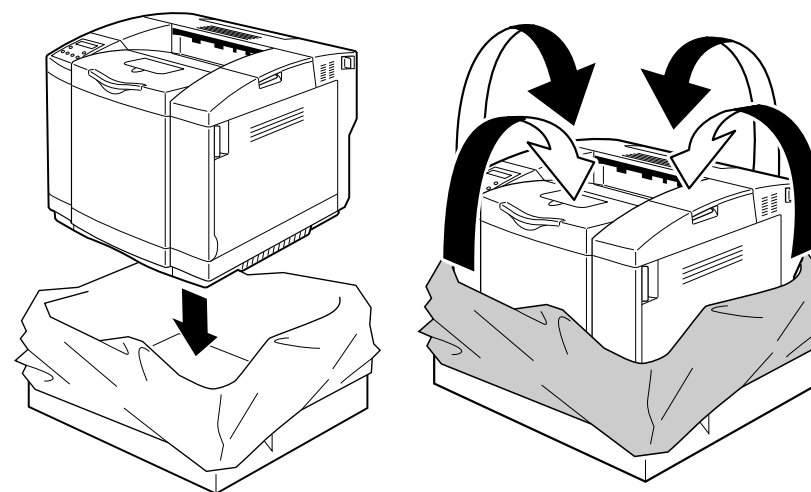


# How To Repack

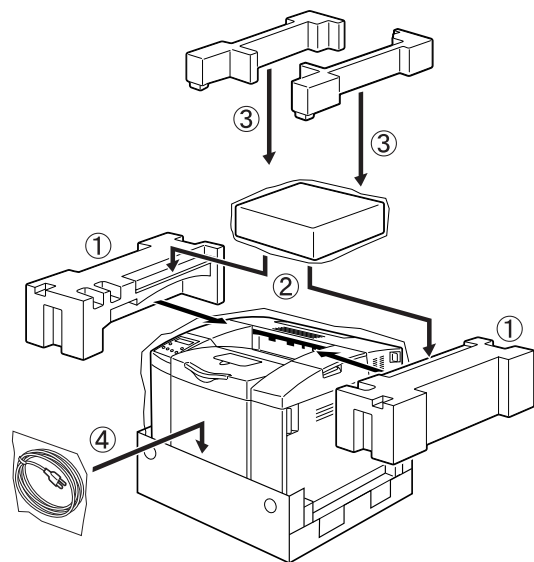
1



2



3



4

